

# The Eucharist

---

MYSTERIOUS ENCOUNTERS: UNVEILING THE  
POWER OF THE SACRAMENTS | WEEK 3

# Typology

---

ΤΥΠΟΣ  
*typos*  
type (figure)

“Adam . . . was a type  
of the one who was to  
come.”

(Romans 5:14)



# Saint Augustine

---

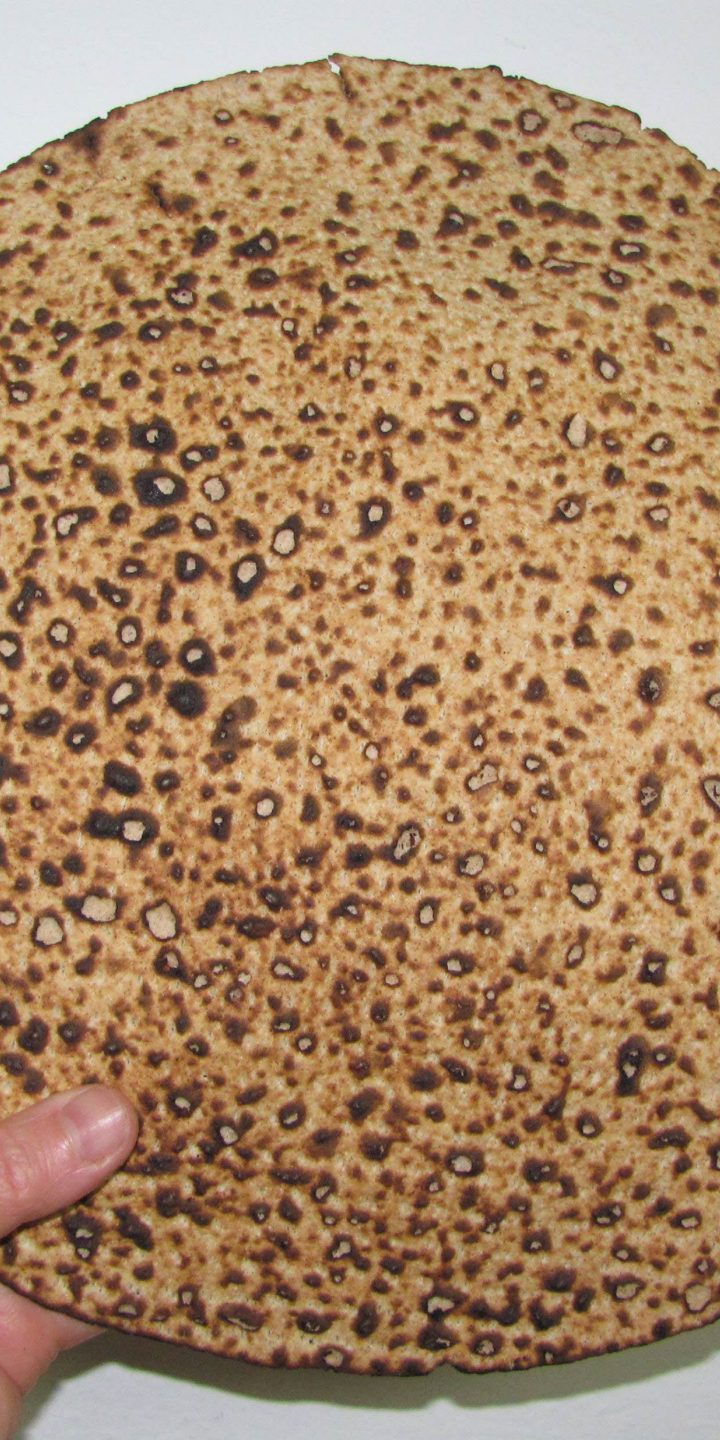
“This grace hid itself under a veil in the Old Testament, but it has been revealed in the New Testament according to the most perfectly ordered dispensation of the ages.”

# The Passover Liturgy

---

“Your lamb shall be without  
blemish, a male a year old.”  
(Exodus 12:5)





“... you shall put away  
leaven out of your  
houses ...”

(Exodus 12:15)





Exodus 12:  
6-7, 22, 46



Exodus 12:  
8-9, 14, 24-  
27

# Exodus 12:12-13





## Jesus, the Passover Lamb

---

Young, male, unblemished

First-born of God

Has no broken bones (John 19:31-36)

Given wine on branch of hyssop (John 19:28-29)



## Consuming the Sacrifice

---

Matthew 26:26-28

Mark 14:22-24

Luke 22:17-20

1 Corinthians  
11:23-26

John 6:53-56

# The Manna in the Wilderness

---



## The “Bread from Heaven” (Exodus 16:4)

---

Glory of God’s presence  
in the cloud (Exodus  
16:10)

Manna with morning  
dew (Exodus 16:13-14)

Amount gathered  
always enough for daily  
needs (Exodus 16:17-  
21)

“Bread of the angels”  
(Psalms 78:25)



## Jesus, the Living Bread from Heaven

---

The glory of God's presence in  
the cloud





Matthew  
17:5

Mark 9:7

Luke 9:34-35



## Jesus, the Living Bread from Heaven

---

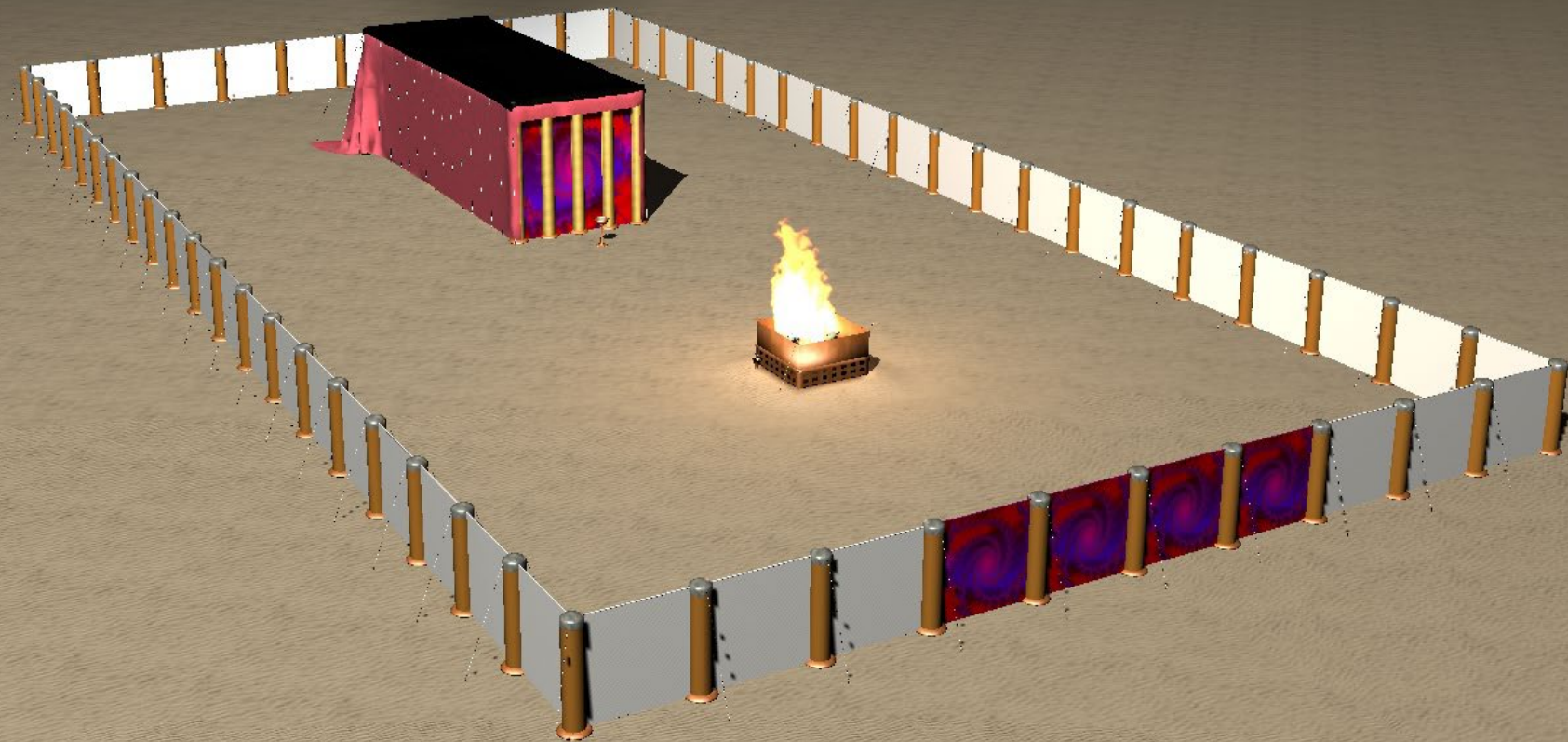
The glory of God's presence in the cloud

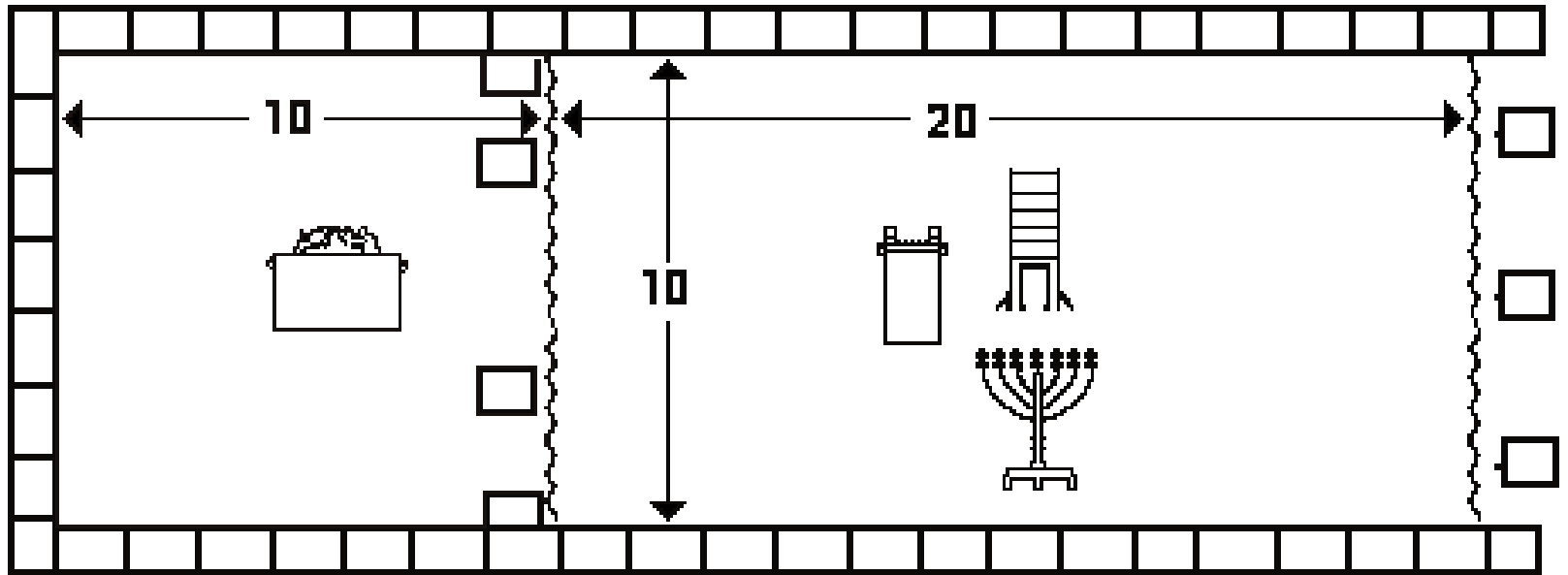
Differences between Jesus and the manna in the wilderness (John 6:48-50)

The "living bread which came down from heaven" (John 6:51)

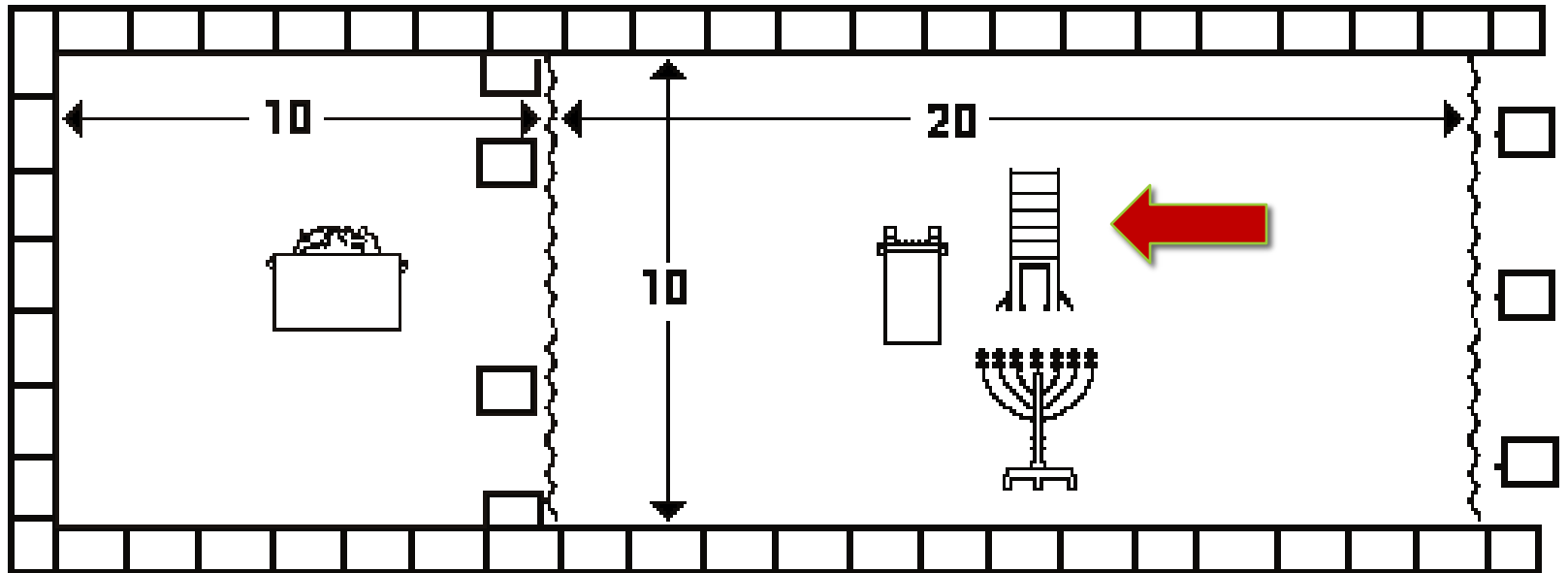
# The Bread of the Presence

---





# Exodus 25:25-29

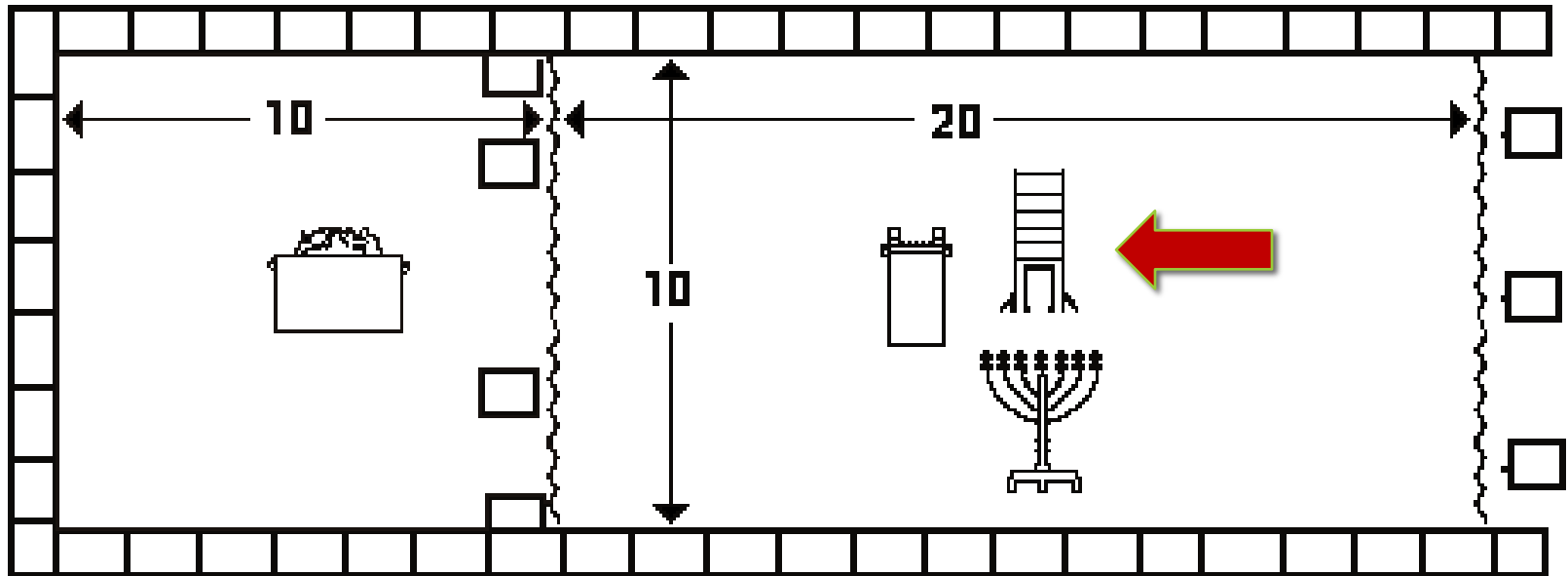




# Leviticus 24:5, 7-9

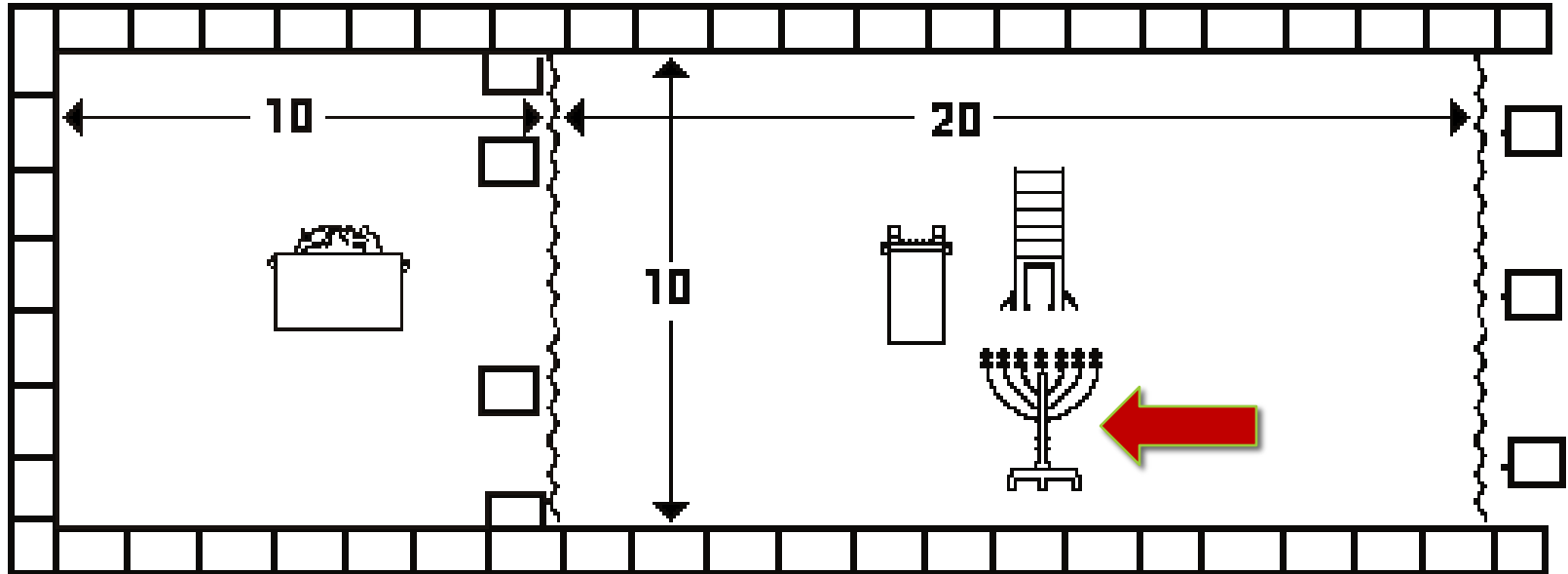
---

# “Bread of the Presence” (Exodus 25:30)

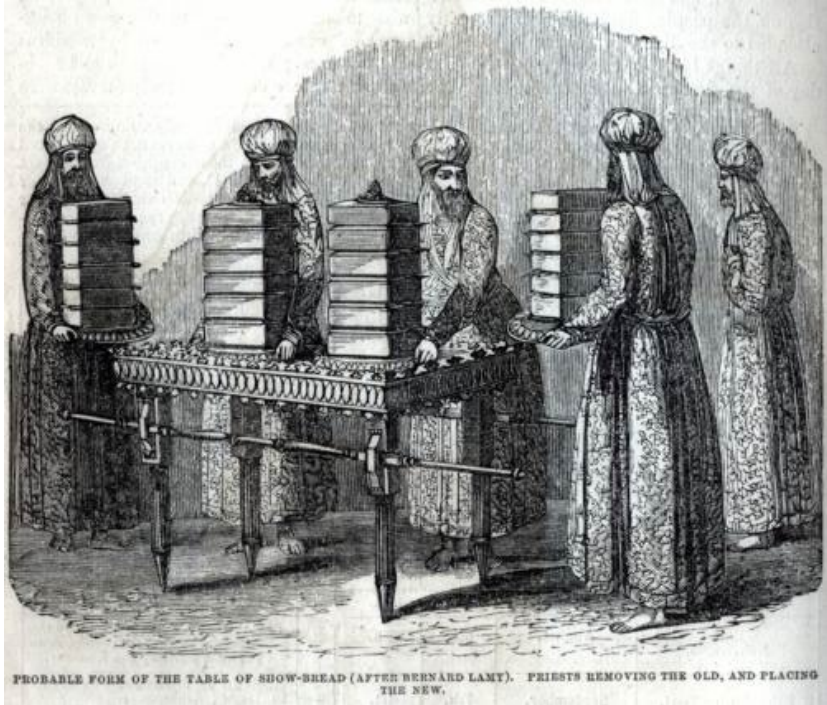




# “Bread of the Presence” (Exodus 25:30)



Leviticus 24:1-4



PROBABLE FORM OF THE TABLE OF SHOW-BREAD (AFTER BERNARD LAMY). PRIESTS REMOVING THE OLD, AND PLACING THE NEW.





## Other Types of the Eucharist

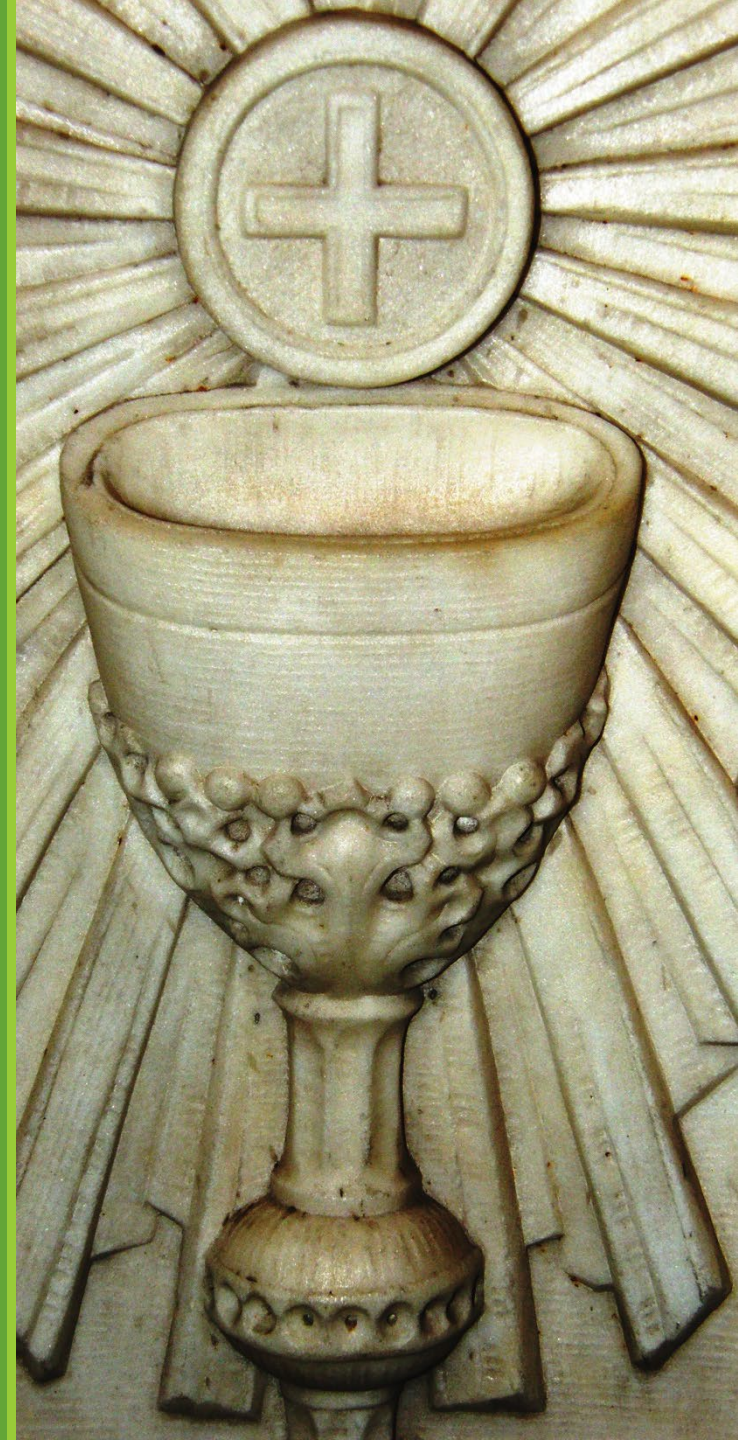
---

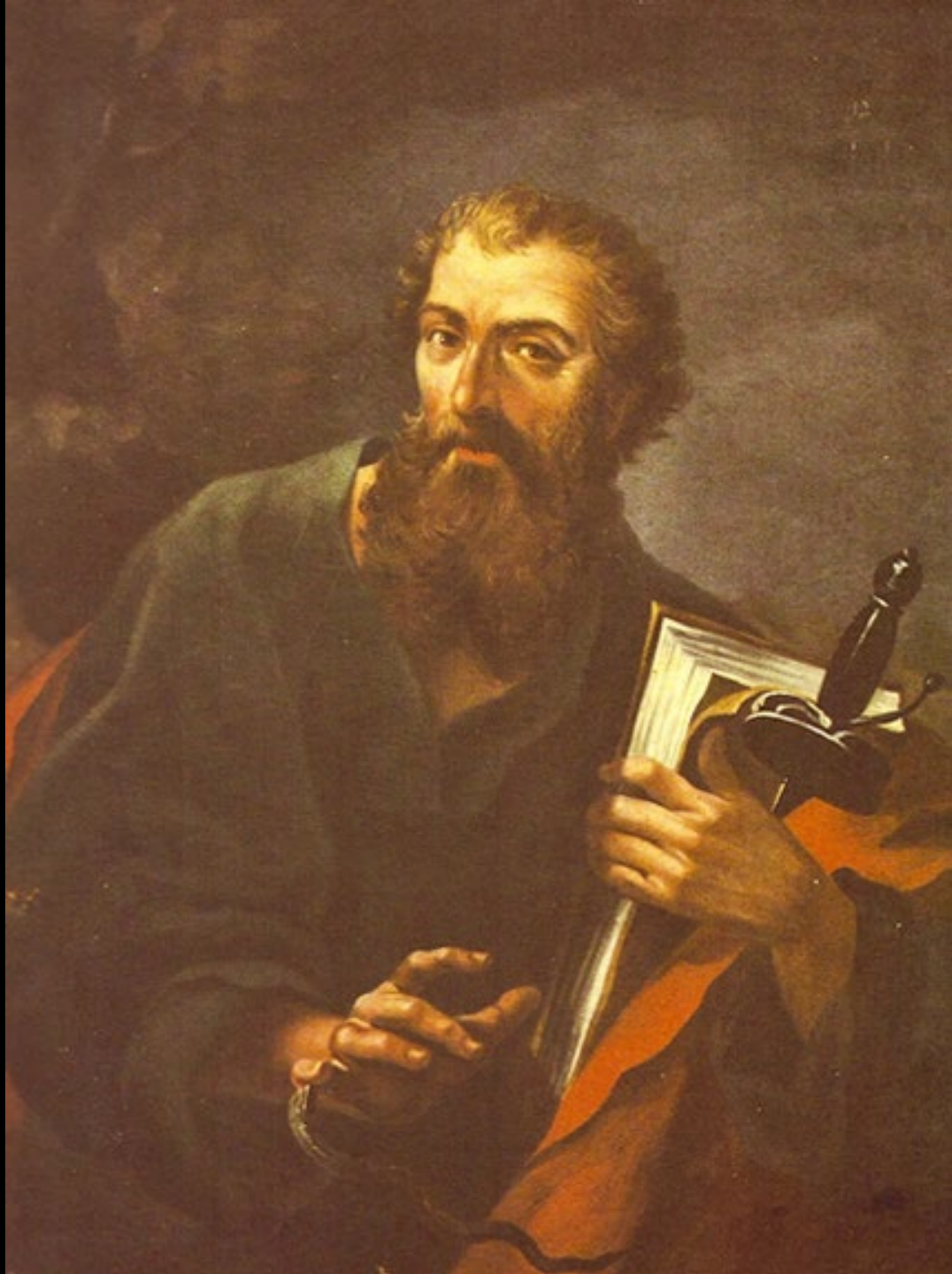
Melchizedek (Genesis 14:18-20, Psalms 110:4)  
Covenant sacrifice and meal at Mount Sinai  
(Exodus 24:1-11)

# What the Church Teaches

---

“Source and summit of the  
Christian life”  
(*Lumen Gentium* 11,  
*Catechism of the Catholic  
Church* 1324)







SAINT

IGNATIUS OF ANTIOCH

WHEREVER A BISHOP  
SHALL APPEAR,  
LET THE  
MULTITUDE  
S&C.



## Elements of the Sacrament

---

Form: Words of  
consecration

Matter: Bread and  
wine

Effects (*Catechism  
of the Catholic  
Church* 1391-1397)



# Transubstantiation

Substance  
Accidents

